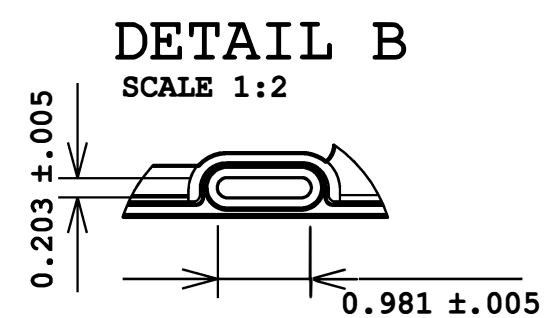
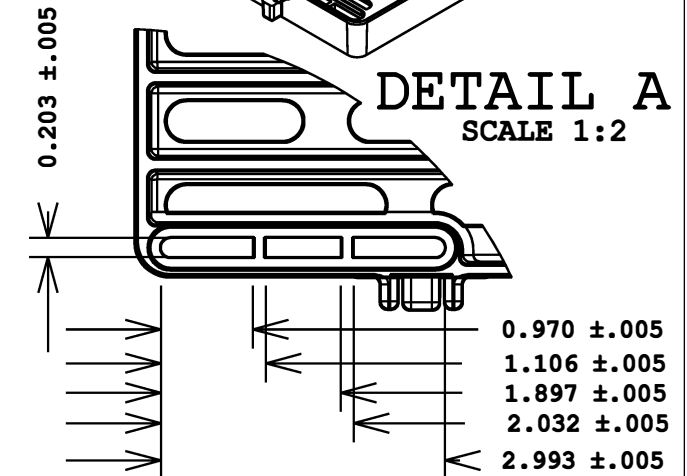
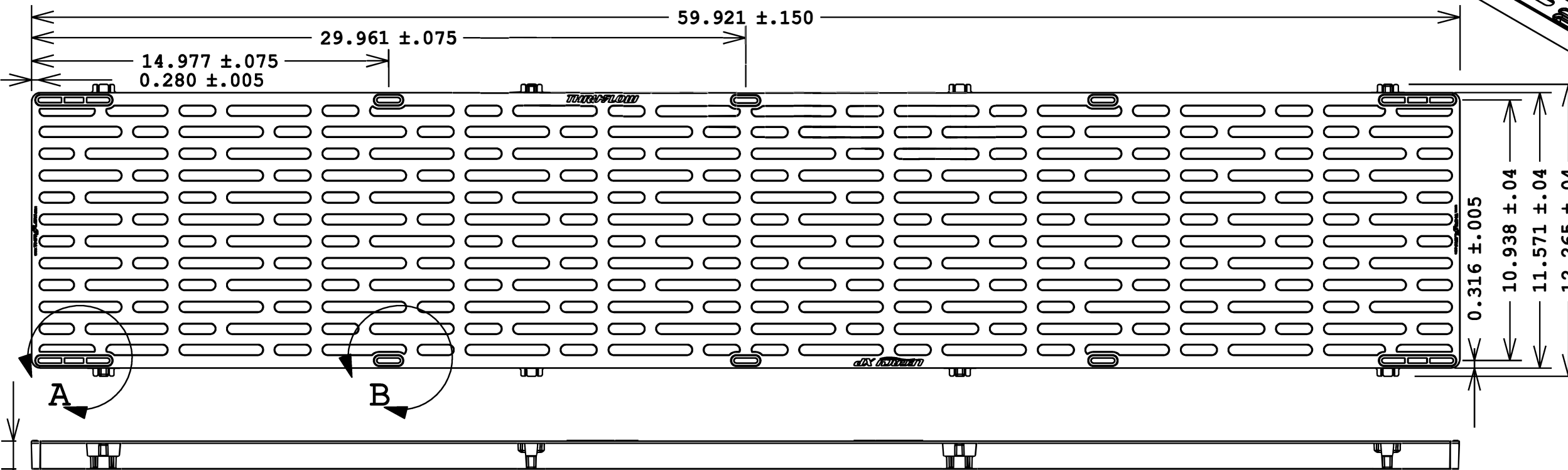
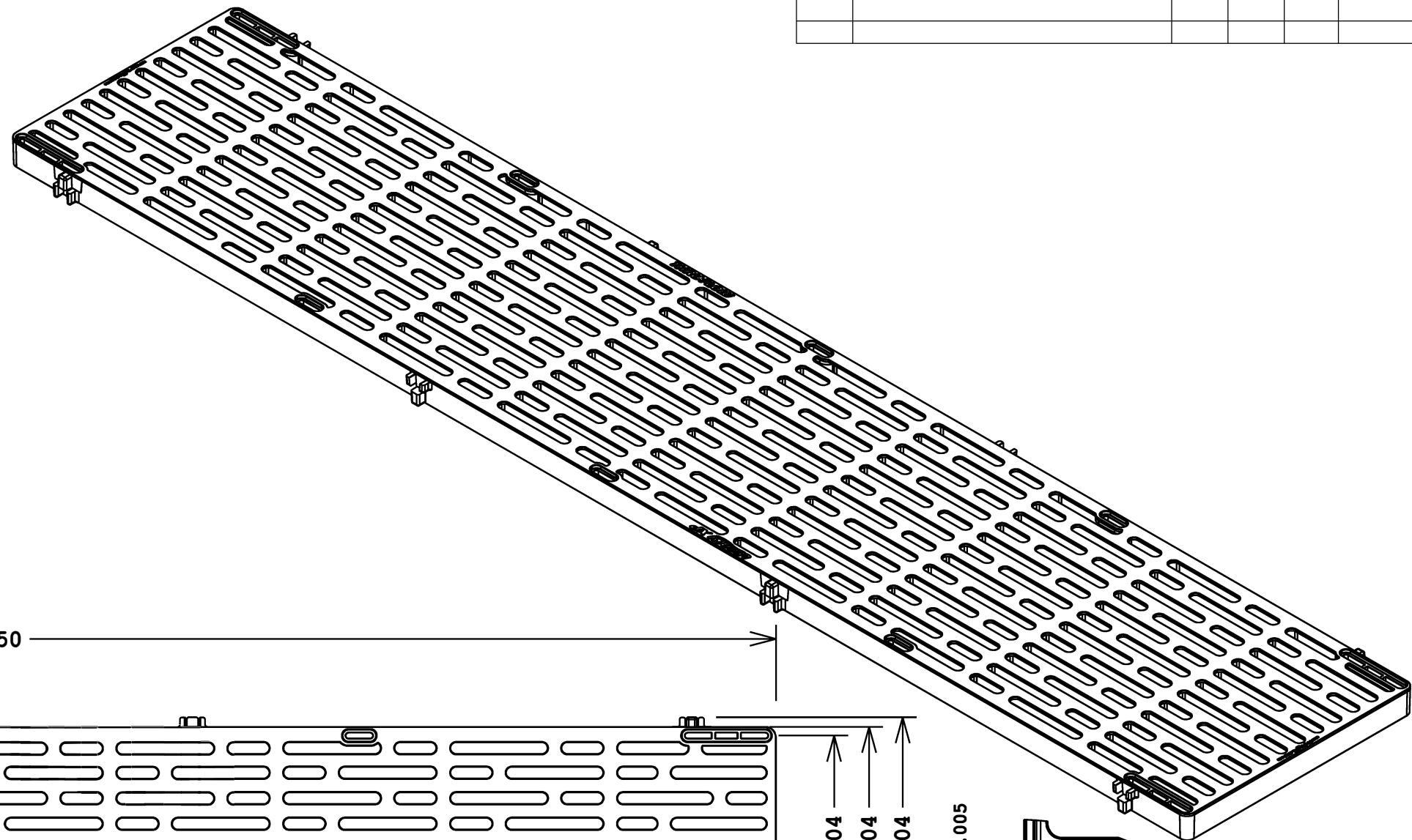


THRUFLOW LEGACY XP SERIES

REV	DESCRIPTION	ECN	DRWN	DATE	APPROVED



1.174 ±.005

NOTES: TEXTURE NOT SHOWN
TEXTURE ADDS 0.015" TO PART HEIGHT
FASTENING SLOTS ARE SYMMETRICAL

UNLESS OTHERWISE SPECIFIED		NAME	DATE	PART FILE	
DIMENSIONS ARE IN INCHES		DRAWN		2020-05-09 TF2012 Legacy XP-5 Foot_No Shrink	
TOLERANCES: FRACTIONAL		CHECKED		TITLE	
ANGULAR: MACH ±		ENG APPROVAL		Legacy XP 5ft	
TWO PLACE DECIMAL ±		MFG APPROVAL			
THREE PLACE DECIMAL ±		QA APPROVAL			
MATERIAL					
PP+15% LGF				SIZE	REV
FINISH				B	
NON-SLIP TEXTURE					
DO NOT SCALE DRAWING		SCALE	WEIGHT	SHEET	1 OF 1